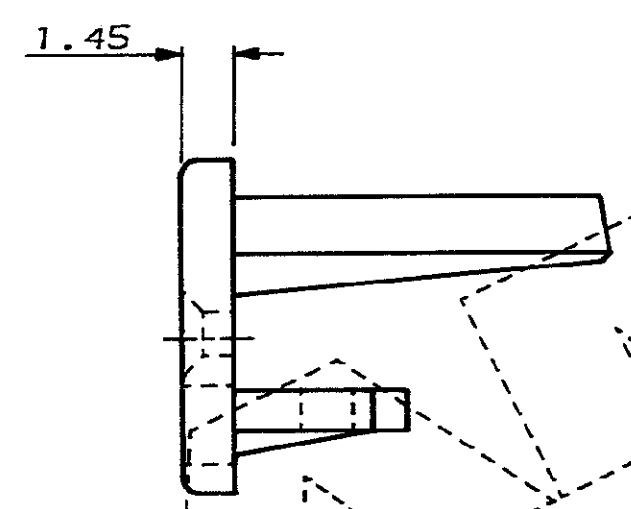
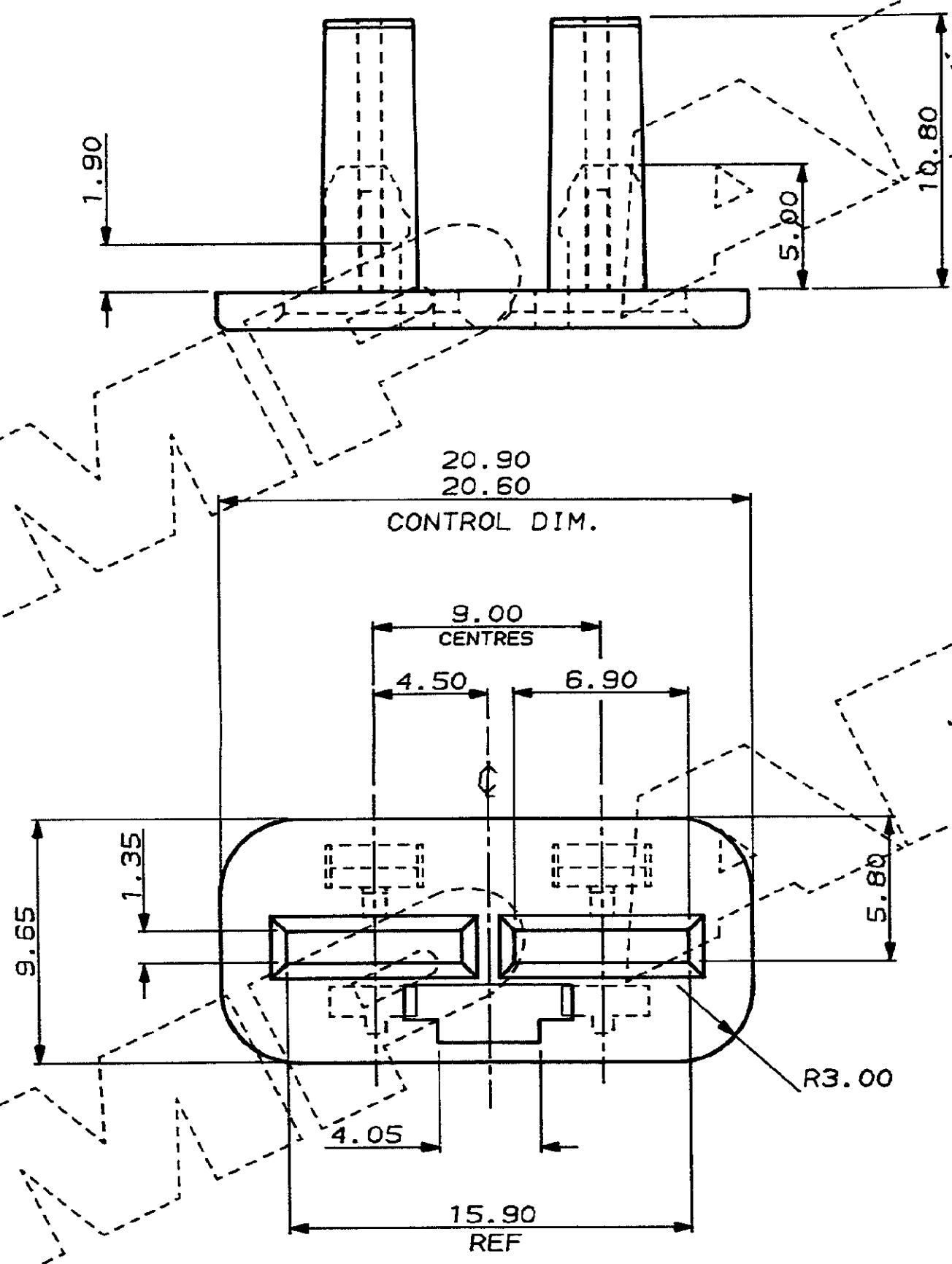
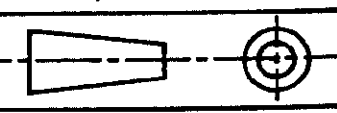


C.A.D. FILE CODE
S.C344089.B

DO NOT SCALE DIMENSIONS IN MM.



WHITE	NYLON 6.6	344089-1
FINISH	MATERIAL	PART NUMBER
CUSTOMER DWG FOR REFERENCE ONLY	© COPYRIGHT 1987 BY AMP OF GREAT BRITAIN LTD. ALL INTERNATIONAL RIGHTS RESERVED. ALL PRODUCTS MAY BE COVERED BY BRITISH AND FOREIGN PATENTS AND/OR PATENTS PENDING.	RELEASED FOR PUBLICATION 2.6.87
-	TOLERANCES UNLESS OTHERWISE STATED :	DR. R. J. S. 2.6.87
-	DEC ± 0.5	CH. R. S. 2.6.87 APP. B. J. 2.6.87
-	ANGLES ± 1°	AMP TERMINAL HOUSE of Great Britain Ltd. STANMORE MIDDX.
B UPDATED	CS241 12.6.88	NAME A/BACK FOR 2 WAY REC. HSG. ECONOSEAL 3 HIGH CURRENT
A UPDATED	C4888 12.7.88	SCALE LOG SIZE DWG.No.
O REL. FOR PROD.	C4891 8/3/88	5/1 E A2 C344089
REV APPROVED	ECN DATE	REV SHEET B 1/1

Mouser Electronics

Authorized Distributor

Click to View Pricing, Inventory, Delivery & Lifecycle Information:

[TE Connectivity:](#)

[344089-1](#)